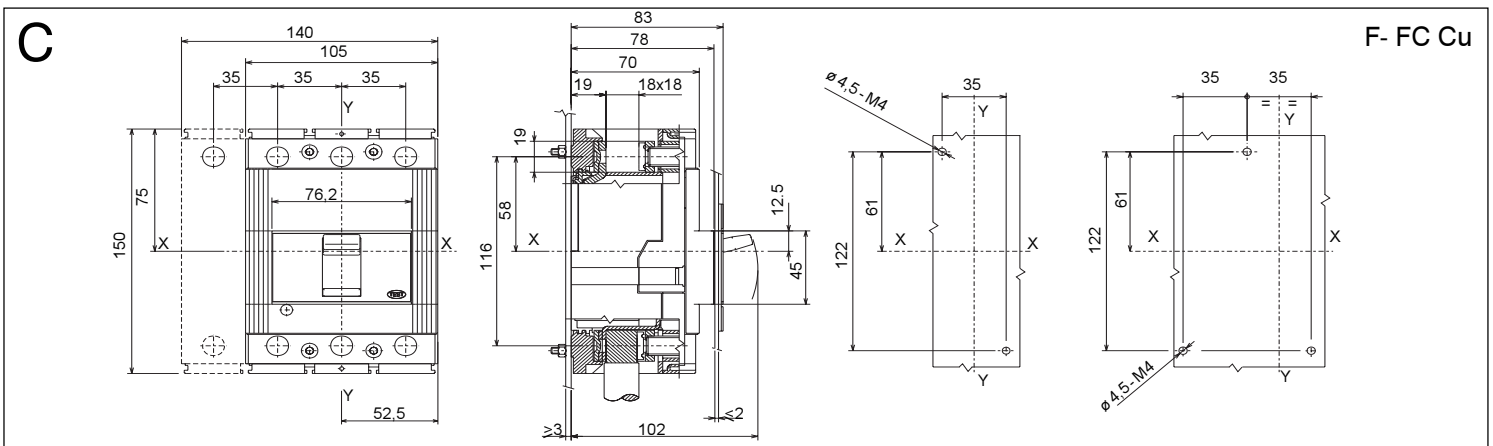
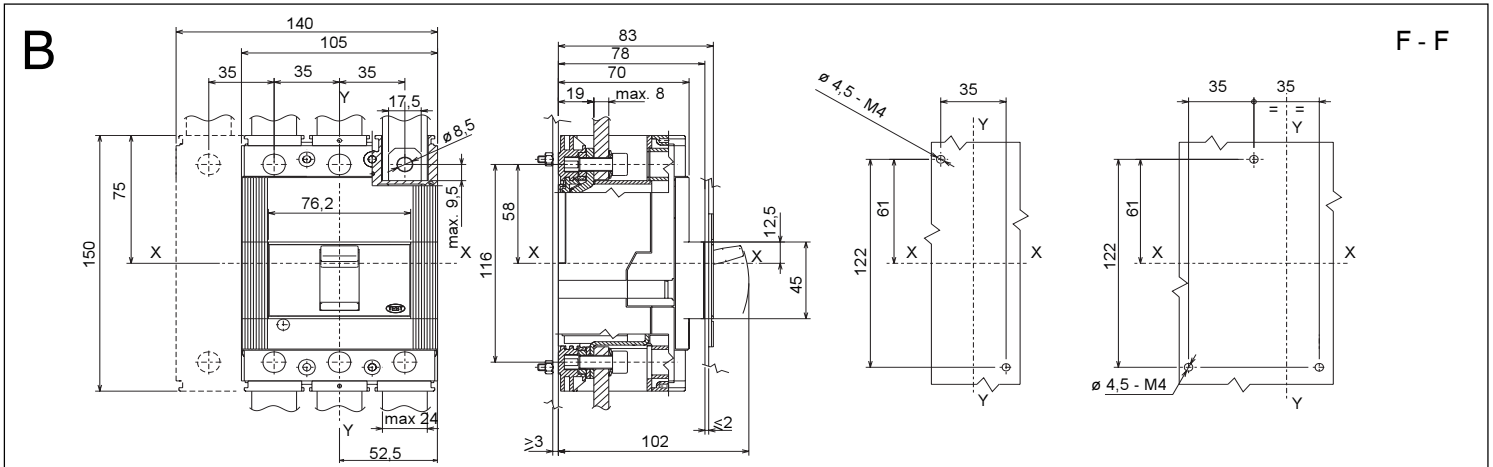
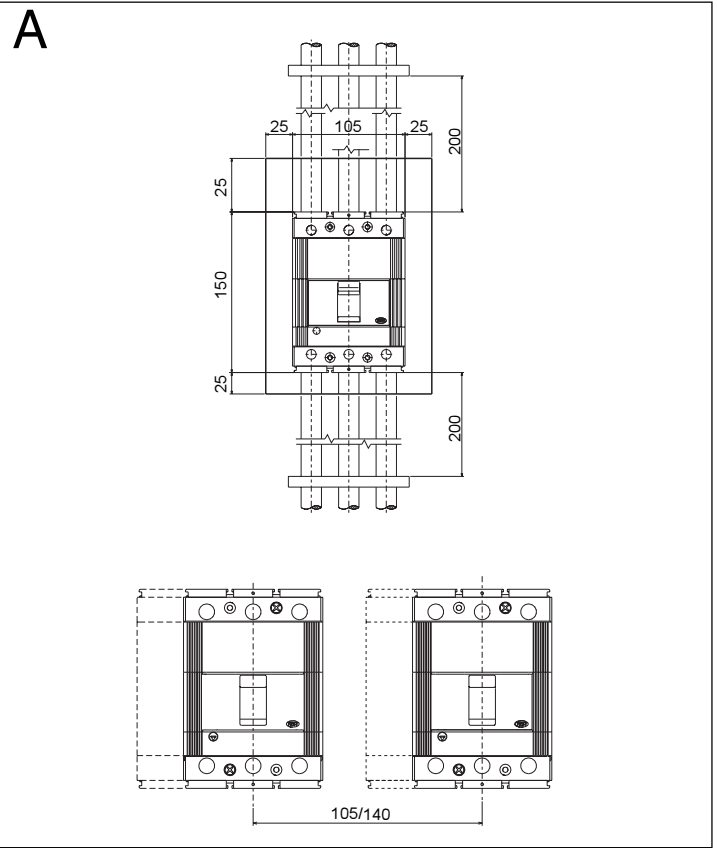
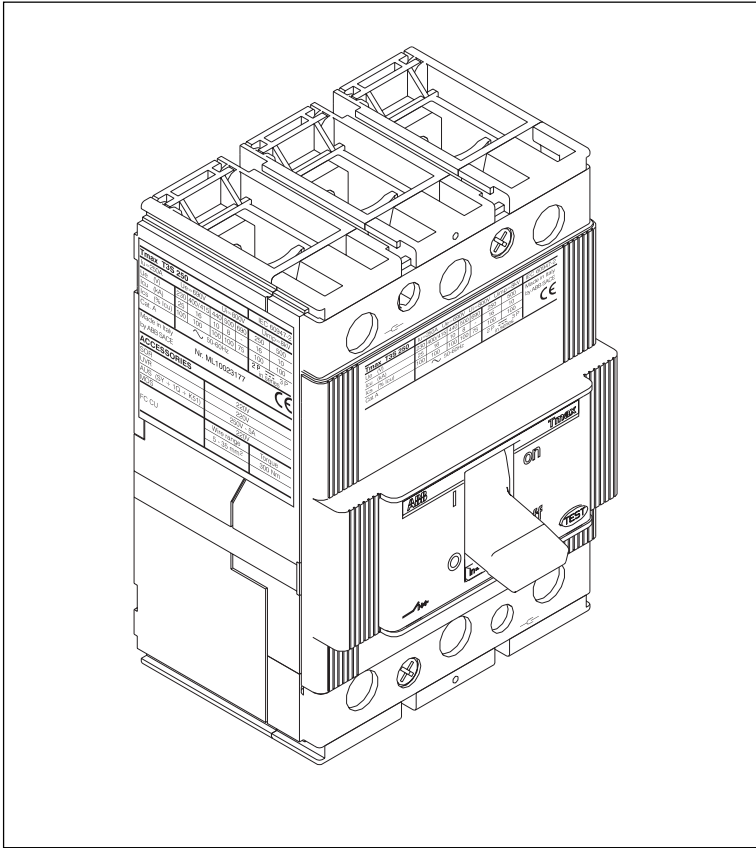
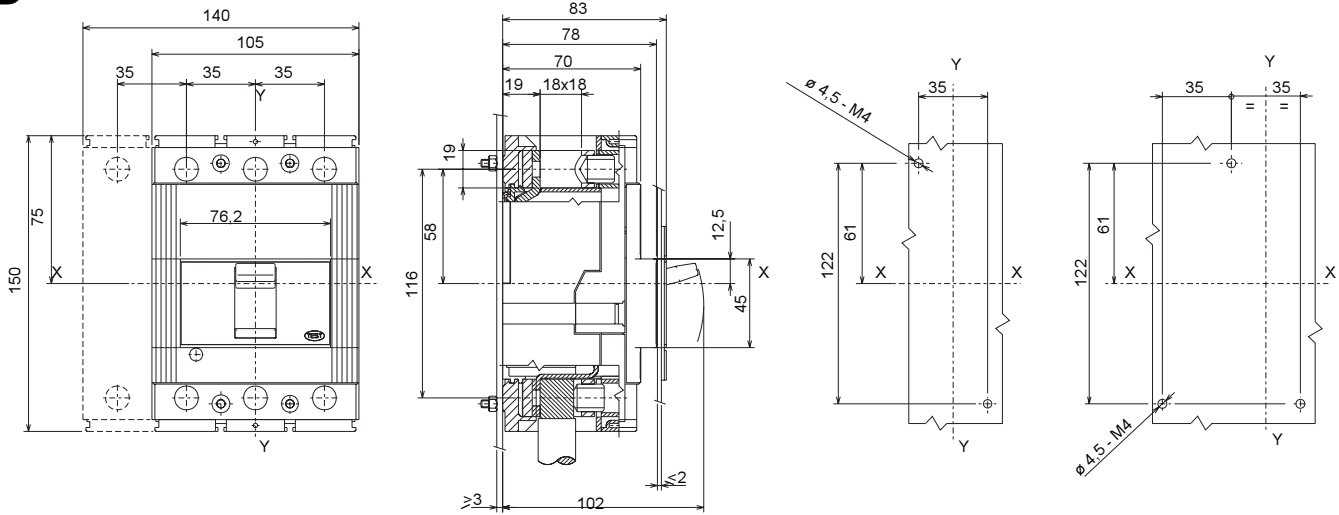


# Tmax T3

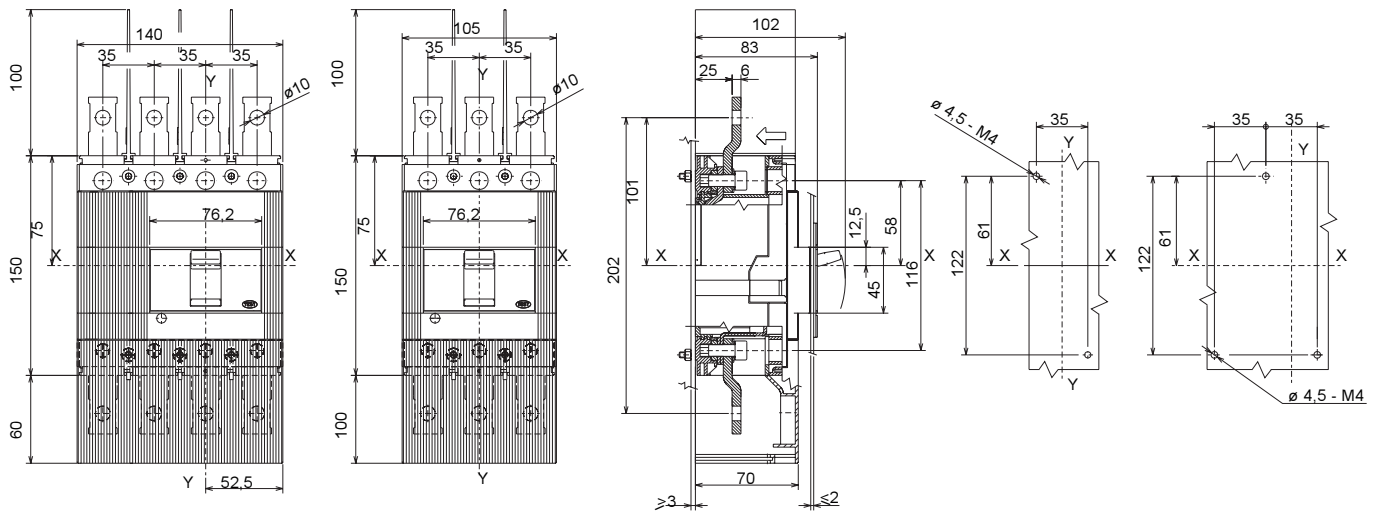
DOC. N.° RH0013.001- L0289



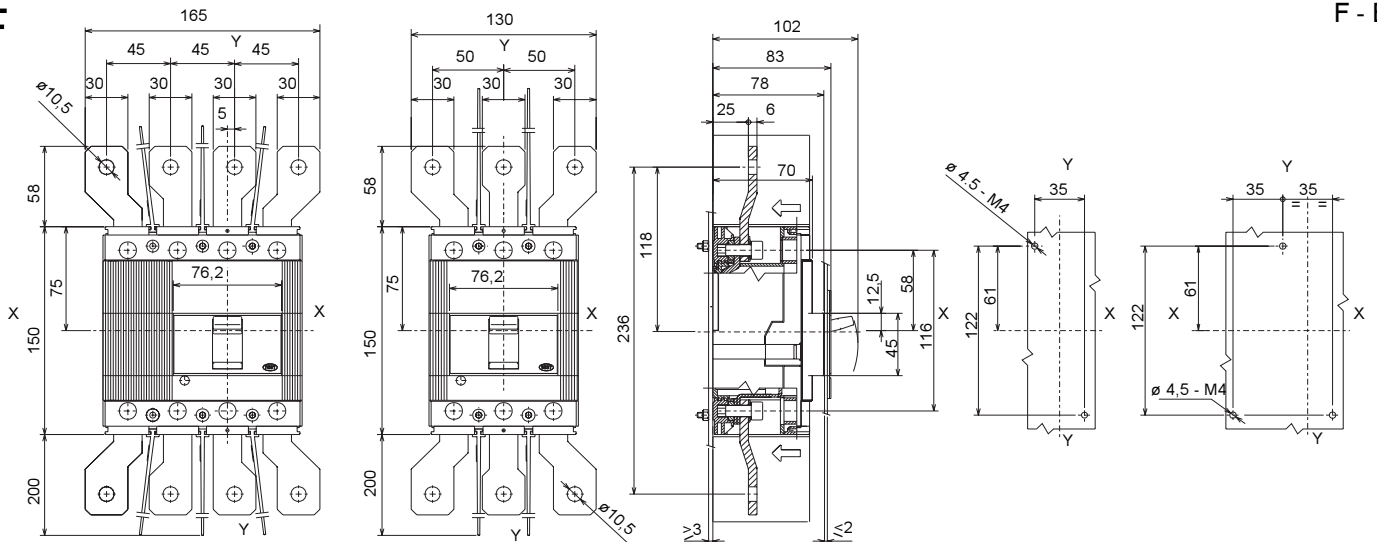
D



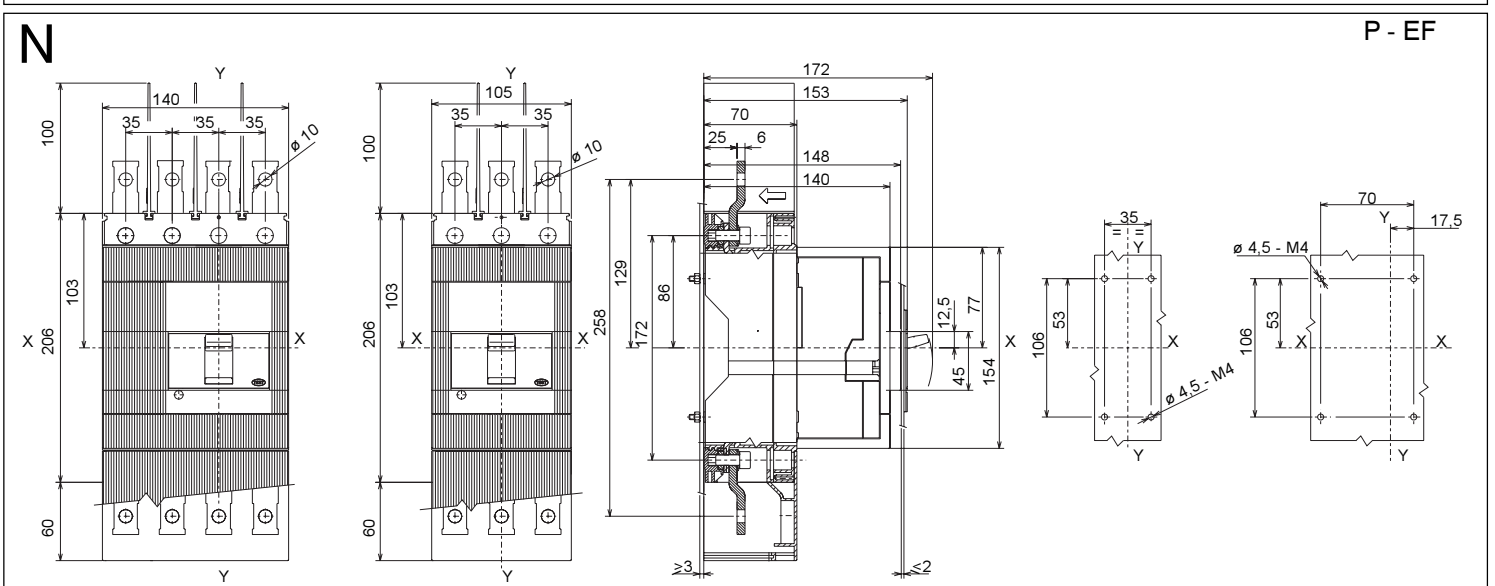
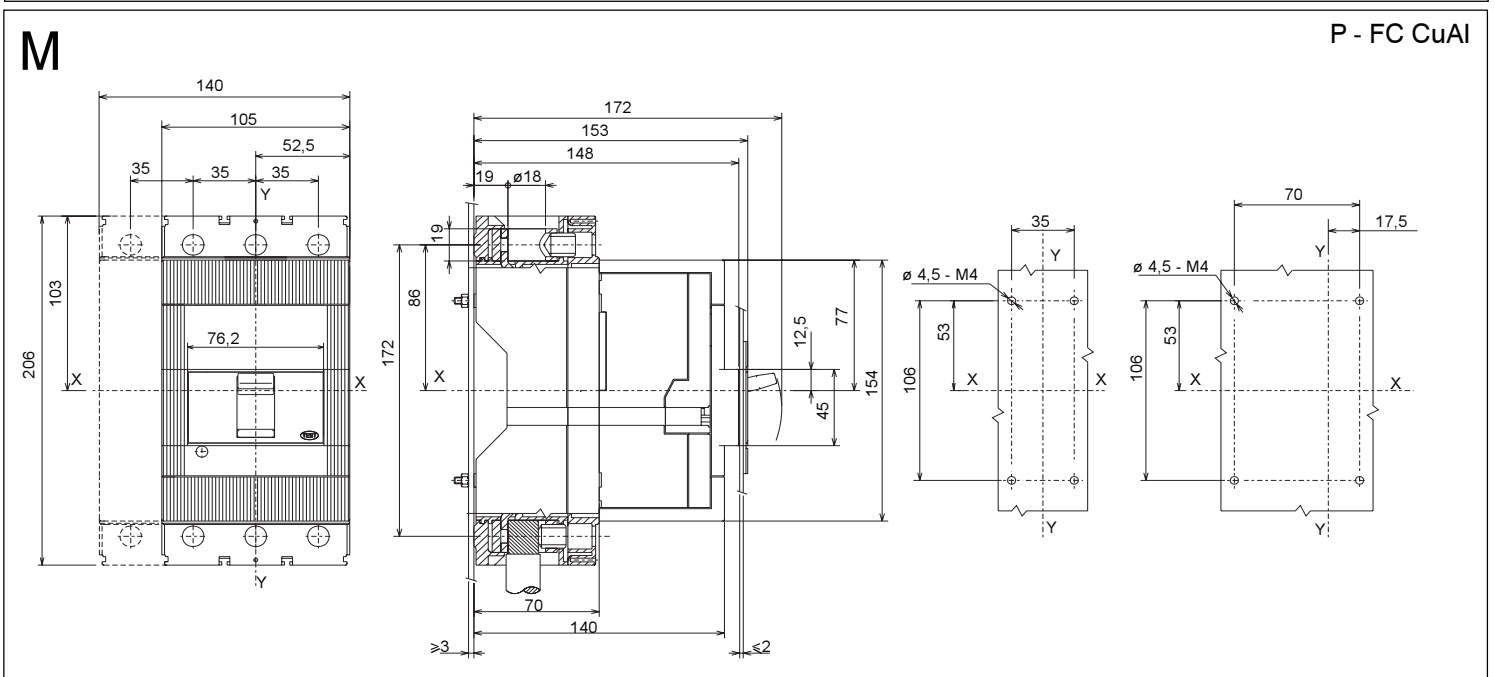
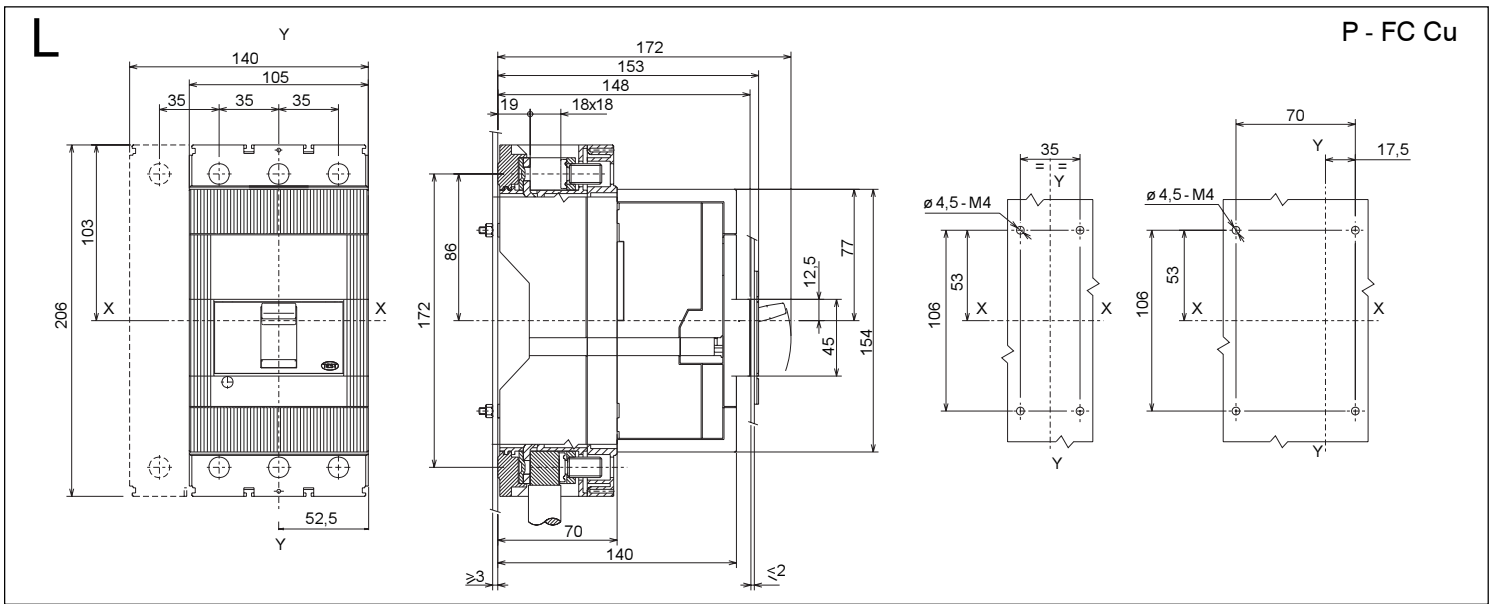
E

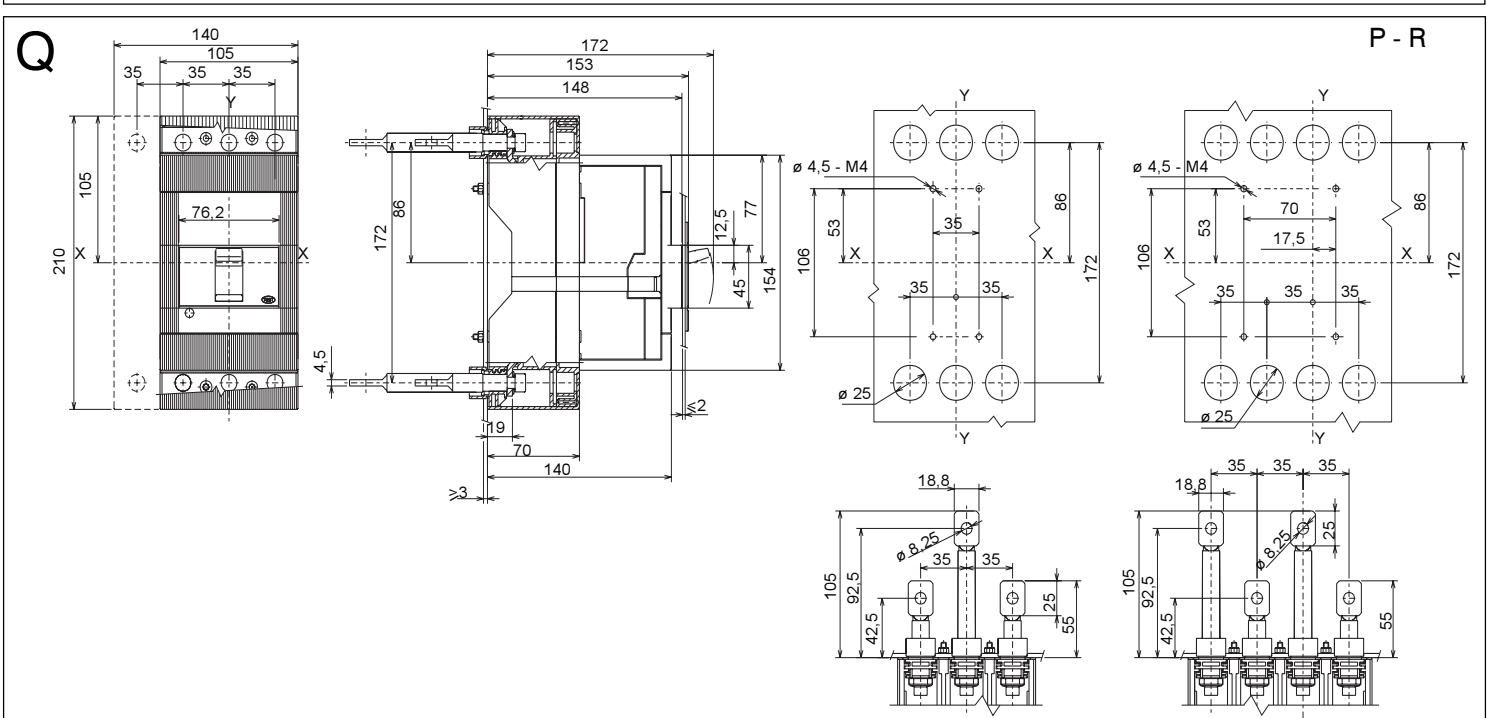
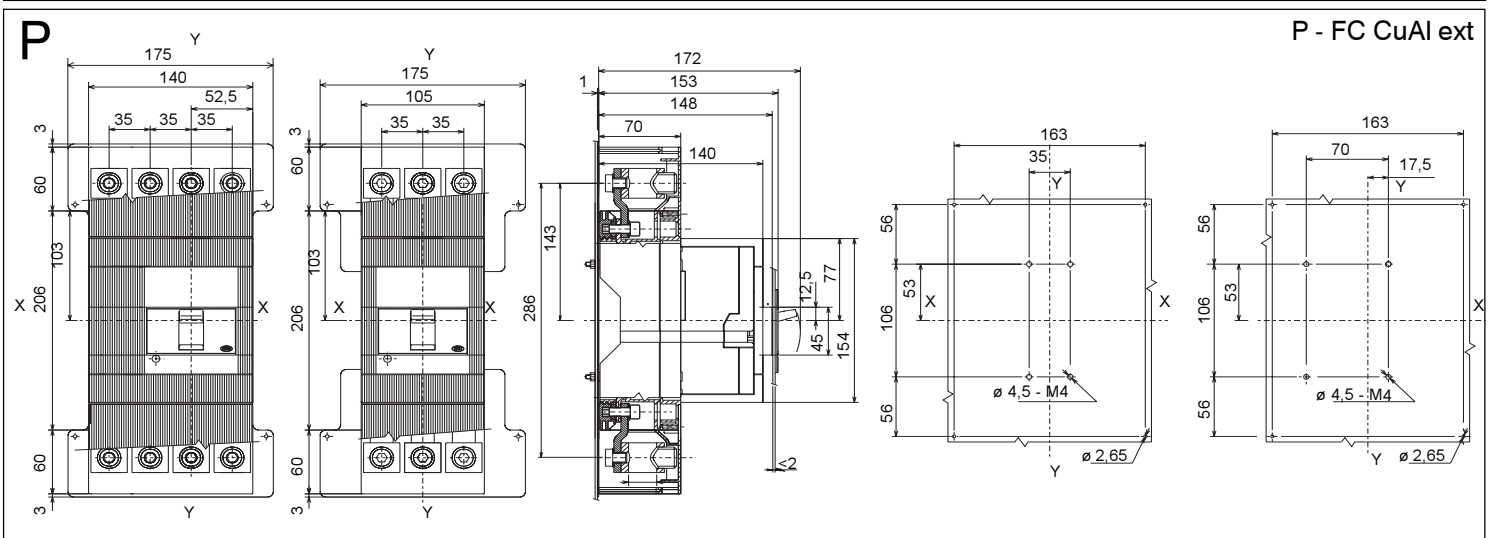
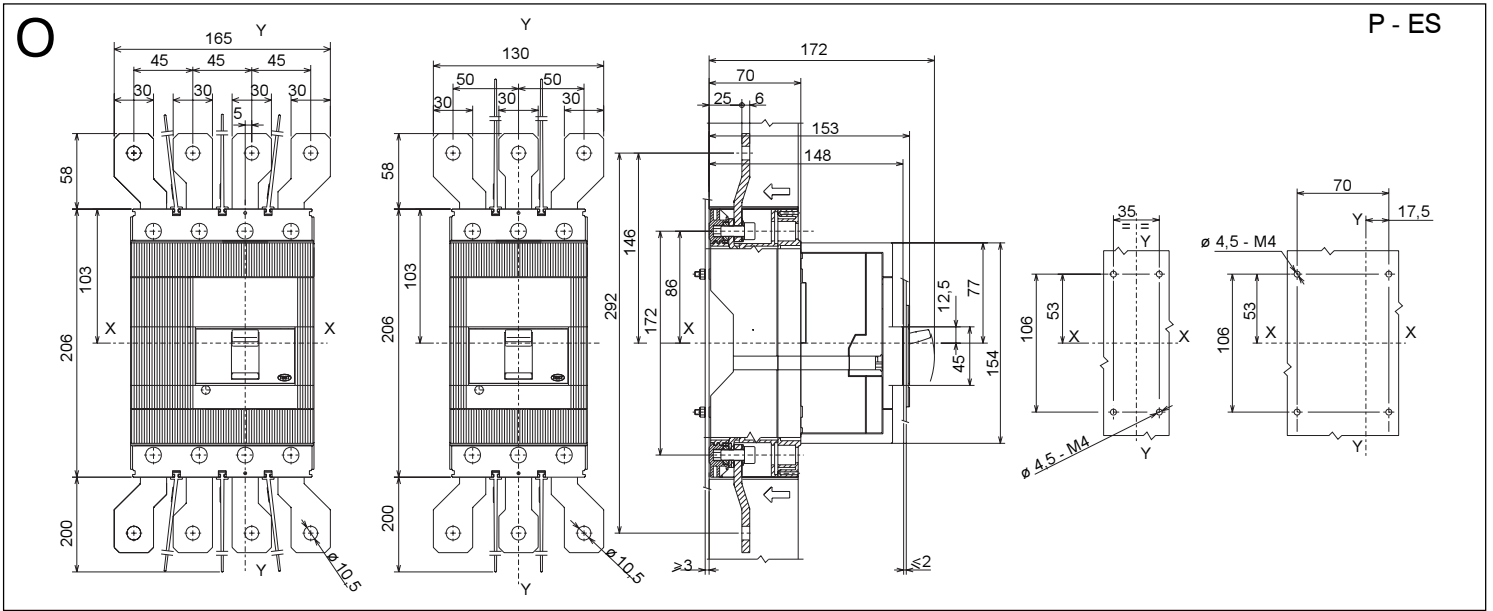


F



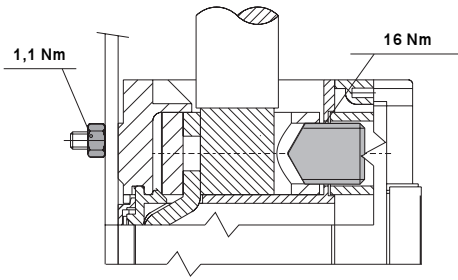




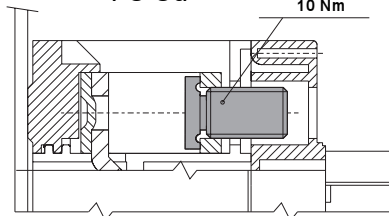


R

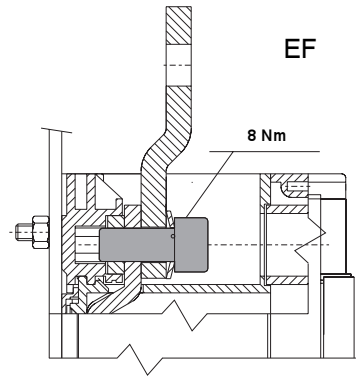
FC CuAl



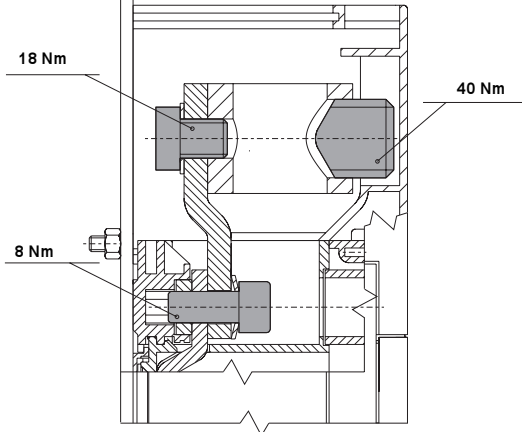
FC Cu



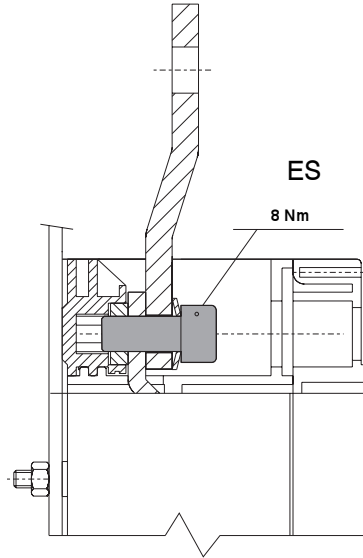
EF



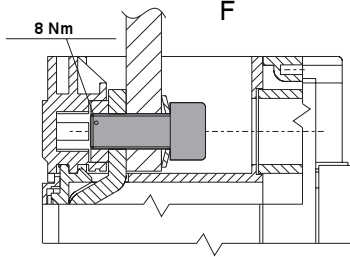
FC CuAl ext



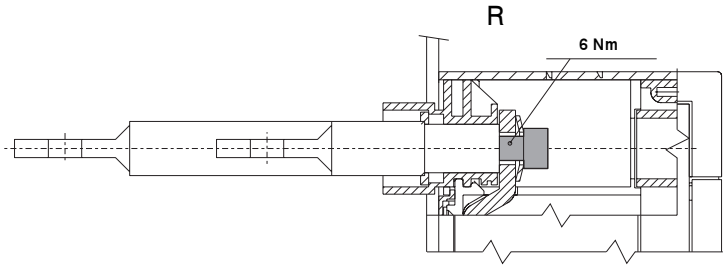
ES



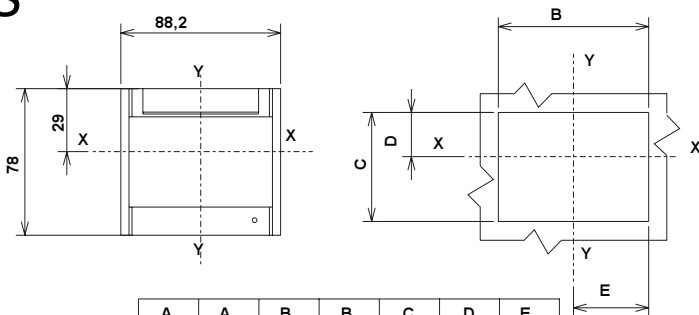
F



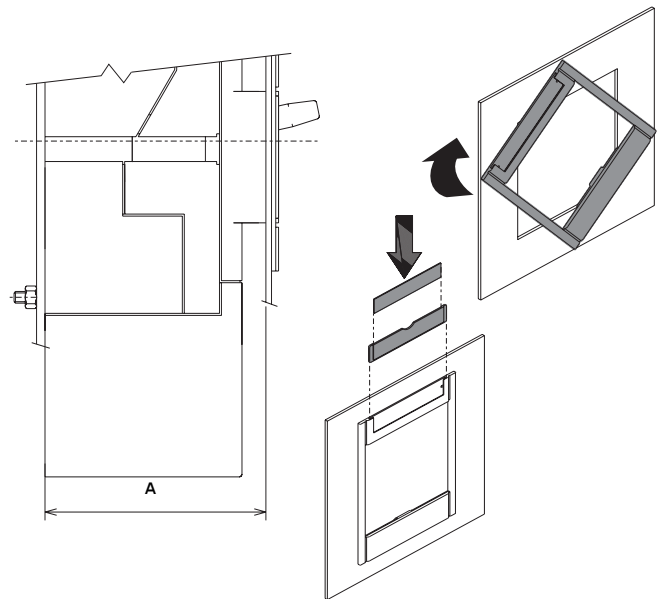
R



S

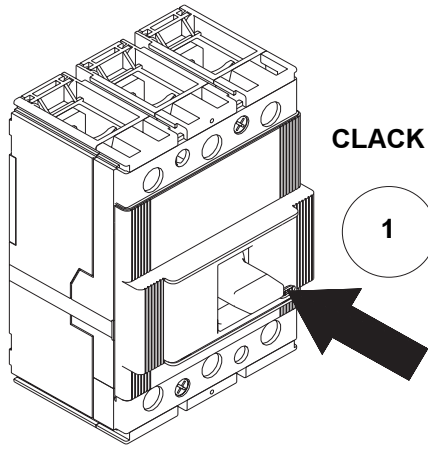


	A	A	B	B	C	D	E
	FISSO	REMOVIBILE	III POLES	IV POLES			
	FIXED	PLUG-IN					
WITH FLANGE CON MOSTRINA	79	149	83	83	58	19	41,5
WITHOUT FLANGE SENZA MOSTRINA	79	149	78,2	78,2	47	13,5	39,1
	71	141	107	142	47	13,5	53,5

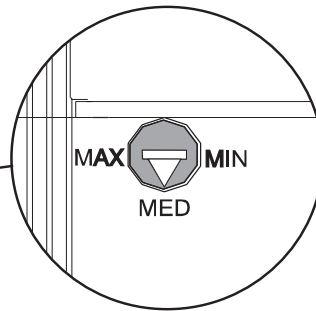
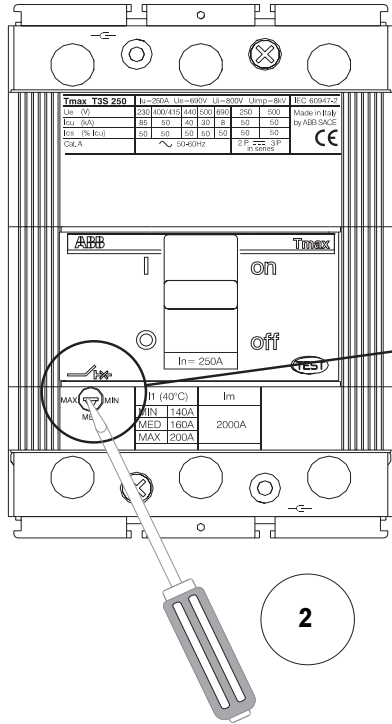


**ABB**

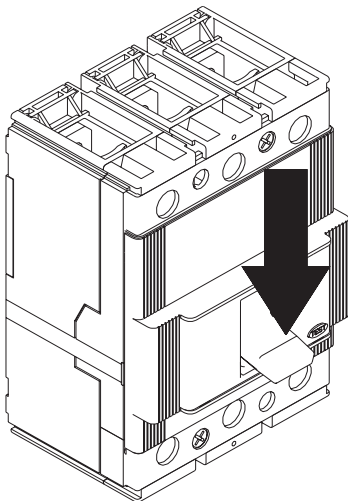
T



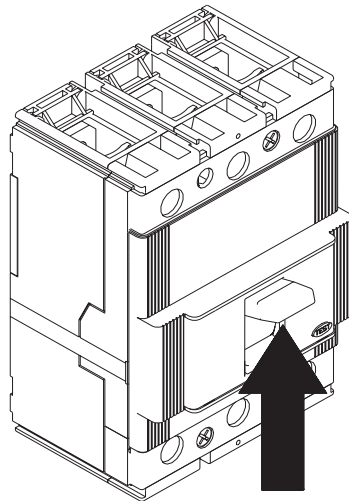
In(A)	Min (0.7)	Med (0.85)	Max (1xIn)
63	44.1	53.6	63
80	56.0	68.0	80
100	70.0	85.0	100
125	87.5	106.3	125
160	112.0	136.0	160
200	140.0	170.0	200
250	175.0	212.5	250



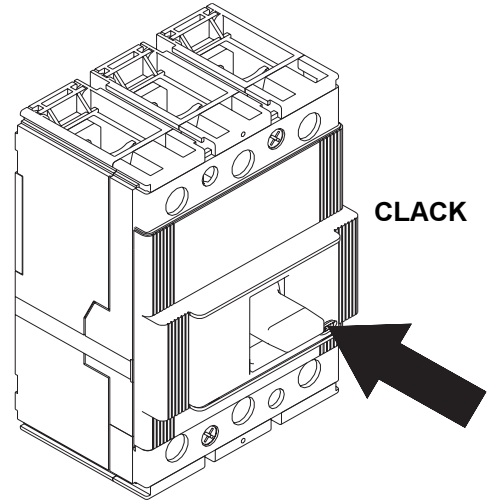
U



OFF



ON



TRIPPED





**ABB SACE S.p.a.**

Via Baioni, 35

24123 Bergamo Italy

Tel. +39 035 395.111 - Telefax +39 035 395.306-433

<http://www.abb.com>